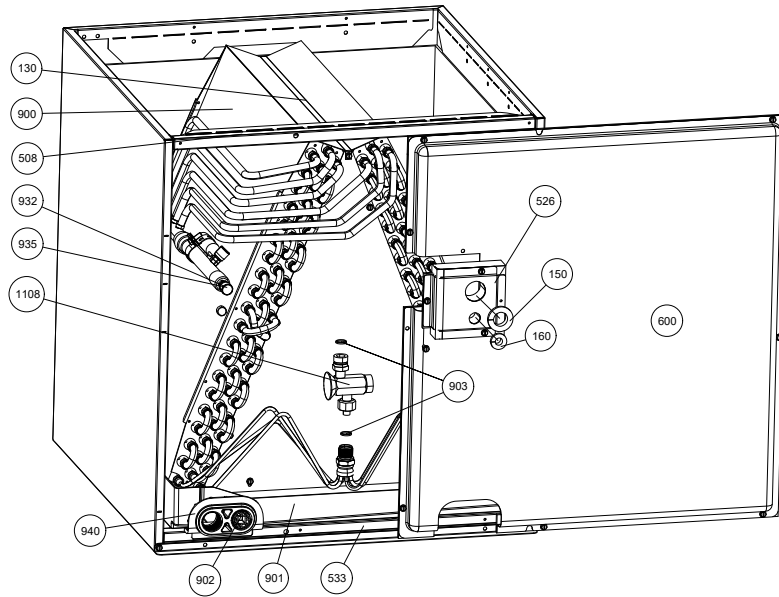


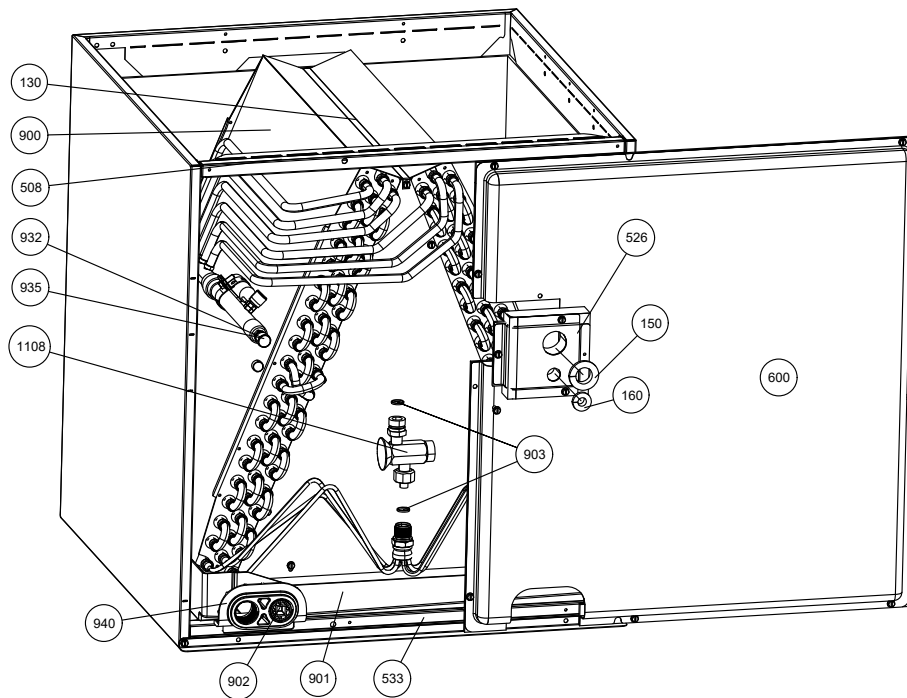
**REPAIR PARTS LIST**

PRINTED DATE: 1/28/2025

The information provided to you may include Johnson Controls' trade secrets, intellectual property, and confidential business information (including its Bill of Materials), and this information is to be kept in the strictest confidence and not to be disclosed to any third party without the prior written consent of Johnson Controls.



Section	Description
	CONSOLIDATED LIST



## Section : CONSOLIDATED LIST

Section	Callout	Replacement Part #	Description	Original Part #	XAFA18A BAN1	XAFA24B BAN1	XAFA30D BAN1	XAFB18A BAN1	XAFB24B BAN1
	NS	S1-02818924000	GROMMET,0.406 INCH ID X 0.750 INCH	S1-02818924000	1	1	1	1	1
	130	S1-07348953001	SHIELD,BLOWOFF,2 ROW	S1-07348953001	1	1		1	1
	130	S1-07348954001	SHIELD,BLOWOFF,3 ROW	S1-07348954001			1		
	150	S1-02813204000	GROMMET 3/4 INCH	S1-02813204000	1	1	1	1	1
	508	S1-37348914001	BRACE,ASSEM,CABINET W/INSUL,14.5	S1-37348914001	1	1	1		
	508	S1-37348915001	BRACE,ASSEM,CABINET W/INSUL,17.5	S1-37348915001				1	1
	533	S1-37348910001	BRACE,ASSEM,LOWER W/INSUL,14.5,CHAMP	S1-37348910001	1	1	1		
	533	S1-37348911001	BRACE,ASSEM,LOWER W/INSUL,17.5,CHAMP	S1-37348911001				1	1
	536	S1-07348821001	ANGLE,TRANSITION,14.5,CHAMP	S1-07348821001	1	1	1		
	536	S1-07348822001	ANGLE,TRANSITION,17.5,CHAMP	S1-07348822001				1	1
	600	S1-37348894001	PNL,ASSEM,LOWER ACCESS,18.9 X 14.5,CHAMP	S1-37348894001	1				
	600	S1-37348895001	PNL,ASSEM,LOWER ACCESS,21.0 X 14.5,CHAMP	S1-37348895001		1			
	600	S1-37348896001	PNL,ASSEM,LOWER ACCESS,24.9 X 14.5,CHAMP	S1-37348896001			1		
	600	S1-37348897001	PNL,ASSEM,LOWER ACCESS,18.4 X 17.5,CHAMP	S1-37348897001				1	

	600	S1-37348898001	PNL,ASSEM,LOWER ACCESS,22.4 X 17.5,CHAMP	S1-37348898001						1
	900	S1-37348918001	COIL W/DRAINPAN,2R/14/14.5,ALUM, FLEX	S1-37348918001	1					
	900	S1-37348919001	COIL W/DRAINPAN,2R/14/17.5,ALUM, FLEX	S1-37348919001				1		
	900	S1-37348920001	COIL W/DRAINPAN,2R/16/14.5,ALUM, FLEX	S1-37348920001		1				
	900	S1-37348921001	COIL W/DRAINPAN,2R/16/17.5,ALUM, FLEX	S1-37348921001						1
	900	S1-37348924001	COIL W/DRAINPAN,3R/20/14.5,ALUM, FLEX	S1-37348924001			1			
	901	S1-02818414000	PAN,DRAIN,2R,14.5 IN,A-COIL	S1-02818414000	1	1				
	901	S1-02818415000	PAN,DRAIN,2R,17.5 IN,A-COIL	S1-02818415000				1		1
	901	S1-02818417000	PAN,DRAIN,3R,14.5 IN,A-COIL	S1-02818417000			1			
	902	S1-02812480001	PLUG,DRAIN PAN	S1-02812480001	1	1	1	1	1	1
	903	S1-02131419000	WASHER, TXV	S1-02131419000	2	2	2	2	2	2
	932	S1-02202475700	CORE, VLV, V PORT (M10)	S1-02202475700	1	1	1	1	1	1
	935	S1-02310745000	CAP, SEAL, KNURLED 7/1	S1-02310745000	1	1	1	1	1	1
	940	S1-02818913000	GASKET, DRAIN PAN	S1-02818913000	1	1	1	1	1	1
	1108	S1-1TVMBA1	KIT, TXV, R-410A, 3/4 INCH CHATLEFF CONN	S1-1TVMBA1	1	1	1	1	1	1

Section	Callout	Replacement Part #	Description	Original Part #	XAFB30C BAN1	XAFB36D BAN1	XAFB36D BCN1	XAFB36E BCN1	XAFC30C BAN1
	NS	S1-02818924000	GROMMET,0.406 INCH ID X 0.750 INCH	S1-02818924000	1	1	1	1	1
	130	S1-07348953001	SHIELD,BLOWOFF,2 ROW	S1-07348953001	1				1
	130	S1-07348954001	SHIELD,BLOWOFF,3 ROW	S1-07348954001		1	1	1	
	150	S1-02813204000	GROMMET 3/4 INCH	S1-02813204000	1	1	1		1
	150	S1-02813205000	GROMMET 7/8 INCH	S1-02813205000				1	
	508	S1-37348915001	BRACE,ASSEM,CABINET W/INSUL,17.5	S1-37348915001	1	1	1	1	
	508	S1-37348916001	BRACE,ASSEM,CABINET W/INSUL,21.0	S1-37348916001					1
	533	S1-37348911001	BRACE,ASSEM,LOWER W/INSUL,17.5,CHAMP	S1-37348911001	1	1	1	1	
	533	S1-37348912001	BRACE,ASSEM,LOWER W/INSUL,21.0,CHAMP	S1-37348912001					1
	536	S1-07348822001	ANGLE,TRANSITION,17.5,CHAMP	S1-07348822001	1	1	1	1	
	536	S1-07348823001	ANGLE,TRANSITION,21.0,CHAMP	S1-07348823001					1
	600	S1-37348899001	PNL,ASSEM,LOWER ACCESS,25.0 X 17.5,CHAMP	S1-37348899001	1	1	1	1	
	600	S1-37348900001	PNL,ASSEM,LOWER ACCESS,22.4 X 21.0,CHAMP	S1-37348900001					1

	900	S1-37348922001	COIL W/DRAINPAN,2R/20/17.5,ALUM, FLEX	S1- 37348922 001	1				
	900	S1-37348923001	COIL W/DRAINPAN,2R/20/21.0,ALUM, FLEX	S1- 37348923 001					1
	900	S1-37348925001	COIL W/DRAINPAN,3R/20/17.5,ALUM, FLEX	S1- 37348925 001		1	1		
	900	S1-37348927001	COIL W/DRAINPAN,3R/22/17.5,ALUM, FLEX	S1- 37348927 001				1	
	901	S1-02818415000	PAN,DRAIN,2R,17.5 IN,A-COIL	S1- 02818415 000	1				
	901	S1-02818416000	PAN,DRAIN,2R,21.0 IN,A-COIL	S1- 02818416 000					1
	901	S1-02818863000	PAN,DRAIN,3R,17.5 IN,A-COIL	S1- 02818863 000		1	1	1	
	902	S1-02812480001	PLUG,DRAIN PAN	S1- 02812480 001	1	1	1	1	1
	903	S1-02131419000	WASHER, TXV	S1- 02131419 000	2	2	2	2	2
	932	S1-02202475700	CORE,VLV,V PORT (M10)	S1- 02202475 700	1	1	1	1	1
	935	S1-02310745000	CAP,SEAL,KNURLED 7/1	S1- 02310745 000	1	1	1	1	1
	940	S1-02818913000	GASKET,DRAIN PAN	S1- 02818913 000	1	1	1	1	1
	1108	S1-1TVMBA1	KIT, TXV,R-410A,3/4 INCH CHATLEFF CONN	S1- 1TVMBA1	1	1			1
	1108	S1-1TVMBC1	KIT, TXV,R-410A,3/4 INCH CHATLEFF CONN	S1- 1TVMBC1			1	1	

Section	Callout	Replacement Part #	Description	Original Part #	XAFC36D BAN1	XAFC36D BCN1			
	NS	S1-02818924000	GROMMET,0.406 INCH ID X 0.750 INCH	S1- 02818924 000		1			
	130	S1-07348954001	SHIELD,BLOWOFF,3 ROW	S1- 07348954 001	1	1			
	150	S1-02813204000	GROMMET 3/4 INCH	S1- 02813204 000	1	1			
	160	S1-02813209000	GROMMET 3/8 INCH	S1- 02813209 000	1				
	508	S1-37348916001	BRACE,ASSEM,CABINET W/INSUL,21.0	S1- 37348916 001	1	1			
	526	S1-37348909001	PNL,ASSEM,TUBING ACCESS W/INSUL,CHAMP	S1- 37348909 001	1				
	533	S1-37348912001	BRACE,ASSEM,LOWER W/INSUL,21.0,CHAMP	S1- 37348912 001	1	1			
	536	S1-07348823001	ANGLE,TRANSITION,21.0,CHA MP	S1- 07348823 001	1	1			
	600	S1-37348900001	PNL,ASSEM,LOWER ACCESS,22.4 X 21.0,CHAMP	S1- 37348900 001	1	1			
	900	S1-37348926001	COIL W/DRAINPAN,3R/20/21.0,ALUM, FLEX	S1- 37348926 001	1	1			
	901	S1-02818864000	PAN,DRAIN,3R,21.0 IN,A-COIL	S1- 02818864 000	1	1			
	902	S1-02812480001	PLUG,DRAIN PAN	S1- 02812480 001	1	1			
	903	S1-02131419000	WASHER, TXV	S1- 02131419 000	2	2			
	932	S1-02202475700	CORE,VLV,V PORT (M10)	S1- 02202475 700	1	1			
	935	S1-02310745000	CAP,SEAL,KNURLED 7/1	S1- 02310745 000	1	1			

	940	S1-02818913000	GASKET,DRAIN PAN	S1-02818913000	1	1			
	1108	S1-1TVMBA1	KIT,TXV,R-410A,3/4 INCH CHATLEFF CONN	S1-1TVMBA1	1				
	1108	S1-1TVMBC1	KIT,TXV,R-410A,3/4 INCH CHATLEFF CONN	S1-1TVMBC1		1			

Suggested stocking items are shown with shaded item number.

Model series repair parts lists are generated for each model number from the last production bill of material.

Major components and suggested stocking items are shown with shaded item number.

Repair parts lists are subject to change without notice.

TO ORDER AUTHORIZED FACTORY REPLACEMENT PARTS - Contact your Source1 HVAC Parts Distributor or visit our website at [www.Source1Parts.com](http://www.Source1Parts.com) for a Distributor and Dealer listing.

Copyright © 2025 by Johnson Controls Inc. All rights reserved.

Johnson Controls Unitary Products